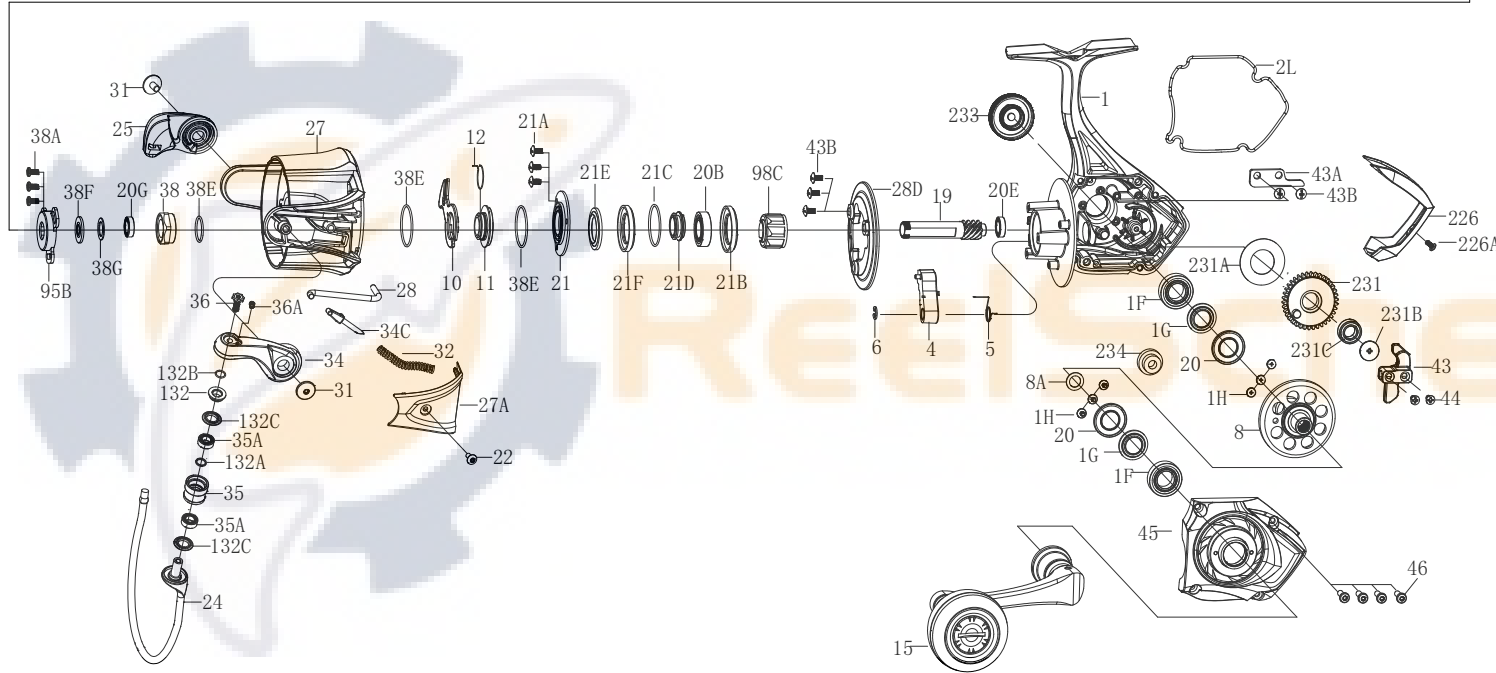
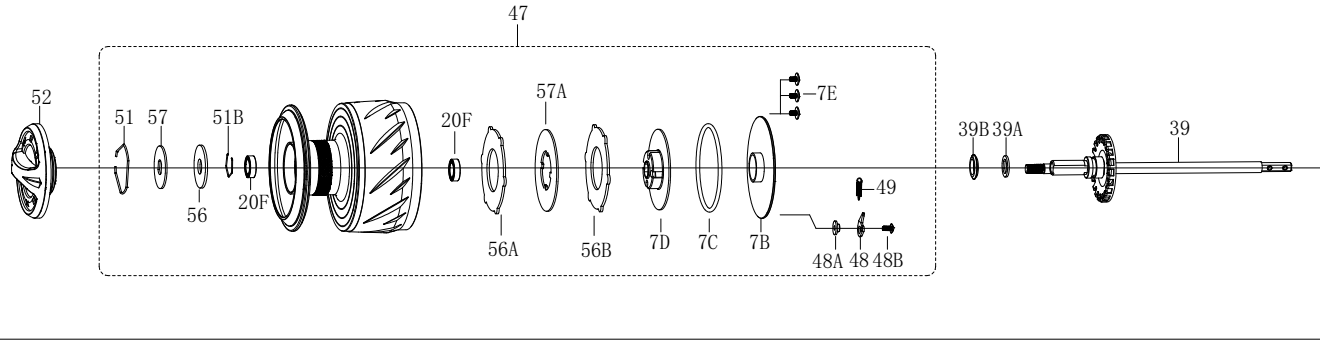




PARTS LIST FOR MODEL ATH7500



KEY NO.	PART NO.	PENN STYLE NO.	DESCRIPTION
21D	1577818	21D-ATH7500	Seal
21E	1577819	21E-ATH7500	Pinion Gear Seal
21F	1577820	21F-ATH7500	Bearing Cover
22	1577821	22-ATH7500	Screw
24	1577822	24-ATH7500	Bail Wire
25	1577823	25-ATH7500	Bail Holder
27	1577824	27-ATH7500	Rotor
27A	1577825	27A-ATH7500	Bail Pivot Cover
28	1577826	28-ATH7500	Trip Lever
28D	1489309	28D-SSVI7500	Rotor Brake
31	1577827	31-ATH7500	Bail Arm Screw (2 req)
32	1489354	32-SSVI9500	Bail Spring
34	1577828	34-ATH7500	Bail Arm
34C	1489313	34C-SSVI7500	Pivot Arm
35	1577829	35-ATH7500	Line Roller
35A	1577830	35A-ATH7500	Line Roller Bearing (2 req)
36	1577831	36-ATH7500	Bail Stud Screw
36A	1577832	36A-ATH7500	Bail Stud Screw
38	1577833	38-ATH7500	Rotor Nut
38A	1577834	38A-ATH7500	Rotor Nut Screw(3 req)
38E	1489317	38E-SSVI7500	Rotor O-Ring(2 req)
38F	1489318	38F-SSVI7500	Main Shaft Seal Ring
38G	1577835	38G-ATH7500	Main Shaft Seal Washer
39	1577836	39-ATH7500	Main Shaft Assembly
39A	1577837	39A-ATH7500	Thrust Washer
39B	1577838	39B-ATH7500	Shaft Seal
43	1577839	43-ATH7500	Crosswind Block
43A	1577840	43A-ATH7500	Crosswind Block Plate
43B	1489213	43B-SSVI3500	Plate Screw (6 req)
44	1191845	44-5000SG	Crosswind Block Screw (2 req)
45	1577841	45-ATH7500	Housing Cover Assembly
46	1577842	46-ATH7500	Housing Cover Screw (4 req)
47	1577843	47-ATH7500	Spool Assembly
48	1577844	48-ATH7500	Click Tongue
48A	1214226	48A-3000SG	Click Tongue Washer
48B	1577845	48B-ATH7500	Spool Click Screw
49	1211627	49-5000SG	Click Tongue Spring
51	1308112	51-CF15000	Drag Retaining Ring
51B	1577846	51B-ATH7500	Spring
52	1577847	52-ATH7500	Drag Knob Assembly
56	1577848	56-ATH7500	Drag Washer
56A	1577849	56A-ATH7500	Drag Washer
56B	1577850	56B-ATH7500	Drag Washer
57	1489330	57-SSVI7500	Keyed Washer
57A	1577851	57A-ATH7500	Keyed Washer
95B	1577852	95B-ATH7500	Rotor Locking Plate
98C	1489332	98C-SSVI7500	Clutch/Sleeve Assembly
132	1577853	132-ATH7500	Roller Washer
132A	1577854	132A-ATH7500	Line Roller Bushing
132B	1577855	132B-ATH7500	O-Ring
132C	1577856	132C-ATH7500	O-Ring(2 req)
226	1577857	226-ATH7500	Rear Cover
226A	1577858	226A-ATH7500	Rear Cover Screw
231	1577859	231-ATH7500	Crosswind Gear
231A	1577860	231A-ATH7500	Crosswind Gear Washer
231B	1489338	231B-SSVI7500	Crosswind Gear Screw
231C	1577861	231C-ATH7500	Crosswind Gear Bearing
233	1577862	233-ATH7500	Bearing Cover Assembly
234	1577864	234-ATH7500	Transfer Gear

KEY NO.	PART NO.	PENN STYLE NO.	DESCRIPTION
1	1577799	1-ATH7500	Housing Assembly
1H	1489176	1H-SSVI3500	Bearing Screw (6 req)
1G	1577800	1G-ATH7500	Seal Plate(2 req)
1F	1489289	1F-SSVI7500	Main Gear Seal Ring(2 req)
2L	1577801	2L-ATH7500	Housing Seal ring
4	1489291	4-SSVI7500	A/R Pawl
5	1489292	5-SSVI7500	Pawl Spring
6	1190979	6-5000SG	Retaining Clip
7B	1577802	7B-ATH7500	Spool Pedestal Cover
7C	1577803	7C-ATH7500	O-ring
7D	1577804	7D-ATH7500	Spool Pedestal Cover
7E	1577805	7E-ATH7500	Screw (3 req)
8	1577806	8-ATH7500	Main Gear
8A	1216652	8A-7000FRC	Shim

KEY NO.	PART NO.	PENN STYLE NO.	DESCRIPTION
10	1489294	10-SSVI7500	A/R Holder
11	1577807	11-ATH7500	Bushing
12	1489296	12-SSVI7500	Bushing Spring
15	1577808	15-ATH7500	Handle Assembly
19	1577809	19-ATH7500	Pinion Gear
20	1577810	20-ATH7500	Ball Bearing (2 req)
20B	1577811	20B-ATH7500	Ball Bearing
20E	1577812	20E-ATH7500	Ball Bearing
20F	1577813	20F-ATH7500	Ball Bearing(2 req)
20G	1577814	20G-ATH7500	Ball Bearing
21	1577815	21-ATH7500	Bearing Retainer
21A	1192645	21A-5000SG	Bearing Retainer Screw (3 req)
21B	1577816	21B-ATH7500	Collar
21C	1577817	21C-ATH7500	Bearing Retainer O-Ring

407-ATH7500 Rev. 0 26-11-2021

1563164